



ZIM Track

Horizontal single-axis tracker

- Strong and rigid construction, fully recyclable system components.
- Fast assembly, only bolted connections, no welding, cutting or drilling required.
- Patent pending for innovative module bracket with hooks for fast module installation.
- Integrated cable management.
- No expensive special tools required.
- Low maintenance system. Easy replacement of individual components including the gearbox without disassembly of the overall structure.

ZIM Track– Technical Data

Design life	▪ 25+ years
Max. inclination North-South	▪ 15 % / 8.5°
Length of tracker	▪ < 96 m
Turning angle	▪ +/- 60°
Min. ground clearance inclined module	▪ 200 mm
Average ground clearance inclined module	▪ Client specific, between 400 -600mm
Max. height module edge	▪ 2000 mm

Contact:

Marco Komander (Project Manager)

m.komander@pv-tracker.de



ZIM Track– Technical Data

Warranty statement	<ul style="list-style-type: none"> Tracker steel structure 10 years, control system 5 years with option to extend.
Tracking algorithm	<ul style="list-style-type: none"> Astronomical tracking algorithm with individual row backtracking.
Integration of Inverters	<ul style="list-style-type: none"> Weather protected inverter mounting possible, shelter from rain and overheating.
Drive system	<ul style="list-style-type: none"> Slewing drive, one unit per tracker row.
Cabling	<ul style="list-style-type: none"> Integrated cable management in main torque tube.
IP class	<ul style="list-style-type: none"> IP65
Weather protection	<ul style="list-style-type: none"> Storm, snow and hail protection integrated in optimised algorithm. Threshold settings project specific configurable.
Cleaning position	<ul style="list-style-type: none"> Individual configurable.
Tests / Certification	<ul style="list-style-type: none"> VDE Confirmation of electrical concept. Risk Assessment for health and safety for assembling and operation/maintenance. Wind tunnel test. Dynamic analysis for static calculation of substructure.
Monitoring	<ul style="list-style-type: none"> Remote monitoring and trouble shooting possible.

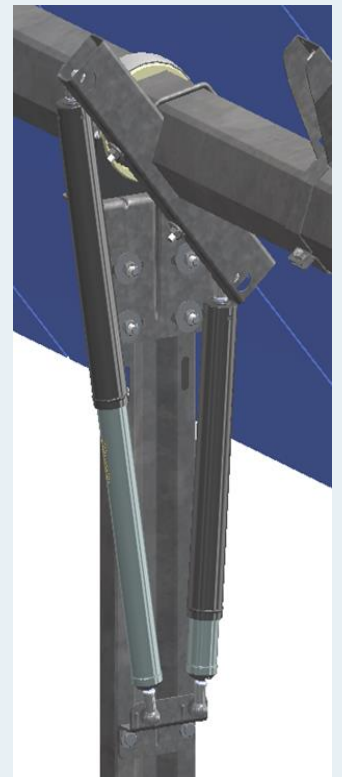
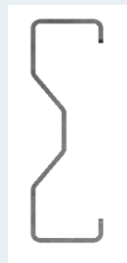
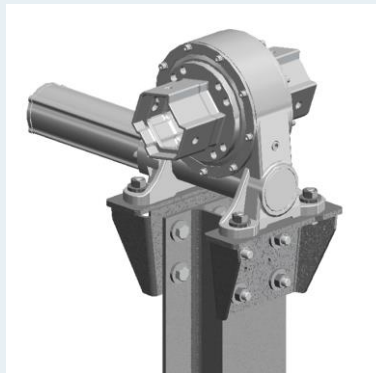
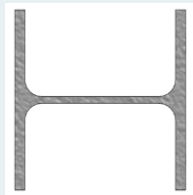
Contact:
Marco Komander (Project Manager)
m.komander@pv-tracker.de



ZIM Track – Main components

Main Components

- Centre HEA pile for drive unit
- Sigma piles for main tube bearings
- Maintenance free bearings
- Dampers



Contact:
Marco Komander (Project Manager)
m.komander@pv-tracker.de



ZIM Track – Main components

Main Components

- Bifacial optimized module holder with integrated hooks for fast module installation
- Wireless control system with 3 power options:
 - i. Auxillary AC supply
 - ii. String powered
 - iii. String powered with optional battery add on



Contact:
Marco Komander (Project Manager)
m.komander@pv-tracker.de